

PRODUCT INFORMATION PACKET

Model No: 143TTFN16040

Catalog No: E2201-P

1 HP General Purpose Motor, 3 phase, 1800 RPM, 230/460 V, 143T Frame, TEFC
Three Phase TEFC Motors



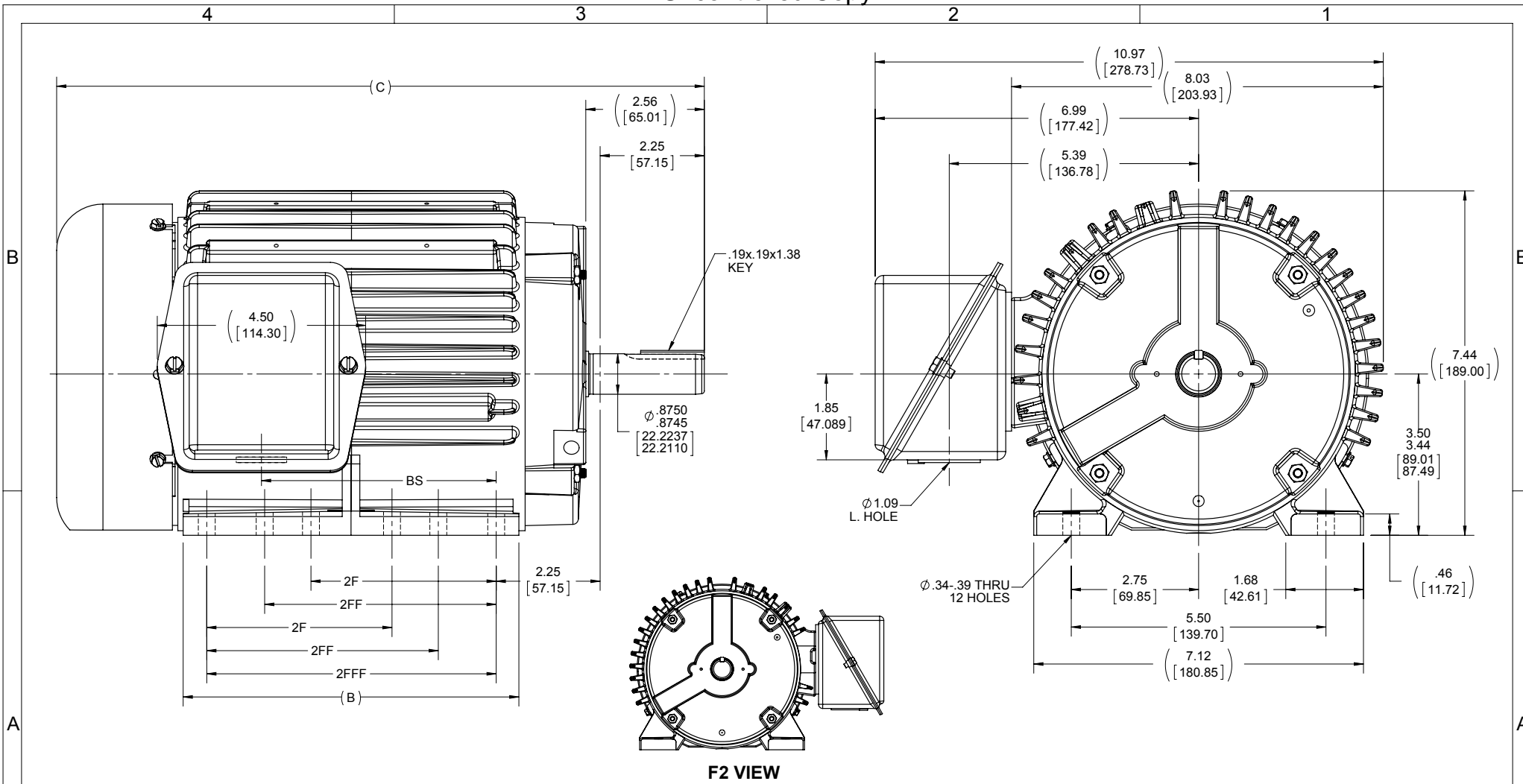
Nameplate Specifications

Output HP	1 Hp	Output KW	0.75 kW
Frequency	60 Hz	Voltage	230/460 V
Current	3.0/1.5 A	Speed	1735 rpm
Service Factor	1.15	Phase	3
Efficiency	85.5 %	Power Factor	72
Duty	Continuous	Insulation Class	F
Design Code	B	KVA Code	M
Frame	143T	Enclosure	Totally Enclosed Fan Cooled
Thermal Protection	No	Ambient Temperature	40 °C
Drive End Bearing Size	6205	Opp Drive End Bearing Size	6203
UL	Recognized	CSA	Y
CE	Y	IP Code	43

Technical Specifications

Electrical Type	Squirrel Cage Inverter Rated	Starting Method	Line Or Inverter
Poles	4	Rotation	Reversible
Resistance Main	13.8 Ohms	Mounting	Rigid Base
Motor Orientation	Horizontal	Drive End Bearing	Ball
Opp Drive End Bearing	Ball	Frame Material	Cast Iron
Shaft Type	T	Overall Length	13.99 in
Frame Length	7.50 in	Shaft Diameter	0.875 in
Shaft Extension	2.56 in	Assembly/Box Mounting	F1/F2 CAPABLE
Outline Drawing	104719-750	Connection Drawing	EE7308

This is an uncontrolled document once printed or downloaded and is subject to change without notice. Date Created:18/06/2020



- NOTES
 1. BOX CAN BE ROTATED IN 90° STEPS
 2. BOX CAN MOUNTED ON OPPOSITE SIDE BY REMOVING BRACKETS AND TURNING FRAME 180°
 3. NAMEPLATE READ FROM CONDUIT SIDE OS MOTOR

DRAWING REVISION D	REVISION BY KR	DATE 10/17/2014
ECO ECO-0062803	APPROVED BY SM	DATE 10/17/2014
ECO DESCRIPTION ADDED F2-VIEW		
<small>COPYRIGHT REGAL BELOIT AMERICA, INC. ALL RIGHTS RESERVED. PROPRIETARY AND CONFIDENTIAL INFORMATION - THIS DOCUMENT IS THE PROPERTY OF REGAL BELOIT AMERICA, INC. (OWNER) AND CONTAINS OWNER'S PROPRIETARY INFORMATION. ANY PERSON, CORPORATION OR OTHER FIRM RECEIVING IT IS DEEMED, BY RECEIVING IT, TO AGREE THAT IT, AND/OR ANY PART OF IT, SHALL NOT BE DISCLOSED TO ANY PERSON, CORPORATION OR OTHER ENTITY, DUPLICATED, AND/OR USED, EXCEPT AS EXPRESSLY APPROVED IN WRITING IN ADVANCE BY OWNER. THIS DOCUMENT SHALL BE RETURNED TO OWNER UPON REQUEST. IT MAY BE SUBJECT TO CERTAIN RESTRICTIONS UNDER APPLICABLE EXPORT CONTROL LAWS AND REGULATIONS.</small>		

TOLERANCES UNLESS OTHERWISE SPECIFIED:			
DEC.	INCH	mm	ANGLE
.X	± 0.1	[± 2.5]	$\pm 0.5^\circ$
.XX	± 0.03	[± 0.76]	
.XXX	± 0.005	[± 0.127]	
.XXXX	± 0.0005	[± 0.0127]	
REMOVE BURRS & BREAK SHARP EDGES: .003/.015 [.076/.381] CORNER FILLETS: .02 [.51] MACHINED SURFACES: $\frac{125}{\text{mm}}$ INCH $\frac{3.2}{\text{mm}}$			
mm SHOWN IN [BRACKETS]			

DRAWN BY DRS	DATE 05/25/2000
APPROVED BY ET	DATE 05/25/2000
REFERENCE	
THIRD ANGLE PROJECTION	

Regal Beloit America, Inc.	
DESCRIPTION OUTLINE 140 FR. - BB - TS - TEFC	
MATERIAL	PROCESS/FINISH
SIZE B	DRAWING NUMBER 104719
	SHEET 1 OF 1

DASH	FR.	B	C	BS	2F	2FF	2FFF
750	143/5T	7.25	13.99	5.06	4.00	5.00	6.25

EE7308

THREE PHASE
DUAL VOLTAGE MOTOR



VIEW OF TERMINAL END

REF.
WINDING DIAGRAM

T8Y, T2Y, T2BL, T4BX, T2EC, T2G
T6BZ, T2B, T6BL, T4AV, T6B, T4B

OPTIONAL CORD
CONNECTION

L1 — WHITE
L2 — RED
L3 — BLACK

NO.		REVISION		BY & DATE		CHK		ANG		FINISH		PREV			
5	CHG TO REGAL LOGO	SL	09/10/2015	AB								DRAWN RM	11/20/1990		
4	REVISED IEC NOTATIONS	MSG	11/15/2011	CMN	.X	±.1						CHK ML	11/21/1990		
3	ADDED IEC NOTATIONS... (U1), (V1) ETC. MU95194	MSG	5/10/2010	MJS	.XX	±.02						APPD SAS	04/24/2003		
2	ADDED THE OPTIONAL CORD CONNECTION MU46318	RDH	04/24/2003	DRS	.XXX	±.005						SCALE	1=1		
1	REDRAWN	RM	11/20/1990		.XXXX	±.0005						REF			
												FMF			
THIS DRAWING IN DESIGN AND DETAIL IS OUR PROPERTY AND MUST NOT BE USED EXCEPT IN CONNECTION WITH OUR WORK ALL RIGHTS OF DESIGN AND INVENTION ARE RESERVED THIS IS AN ELECTRONICALLY GENERATED DOCUMENT - DO NOT SCALE THIS PRINT										RFP	CAD FILE ee7308	SIZE A	DRAWING NO. EE7308	PAGE OF 5	REV. 5
										DIST WP					



TITLE CONNECTION DIAGRAM
3Ø - DUAL VOLTAGE MOTOR

CERTIFICATION DATA SHEET

Model#: 143TTFN16040 AA **WINDING#:** ZT492 R16 3
CONN. DIAGRAM: A-EE7308 **ASSEMBLY:** F1/F2 CAPABLE
OUTLINE: A-104719-750

TYPICAL MOTOR PERFORMANCE DATA

HP	KW	SYNC. RPM	F.L. RPM	FRAME	ENCLOSURE	KVA CODE	DESIGN
1&1	.75&.75	1800	1735&1445	143T	TEFC	M	B

PH	Hz	VOLTS	FL AMPS	START TYPE	DUTY	INSL	S.F	AMB°C	ELEVATION
3	60/50	230/460#190/ 380	3/1.5&3.4/1.7	LINE OR INVERTER	CONTINUOU S	F3	1.15/1.15	40	3300

FULL LOAD EFF: 85.5&84.5	3/4 LOAD EFF: 85.5	1/2 LOAD EFF: 84	GTD. EFF	ELEC. TYPE	NO LOAD AMPS
FULL LOAD PF: 72&77.5	3/4 LOAD PF: 67	1/2 LOAD PF: 53.5	82.5	SQ CAGE INV RATED	1.7 / .9

F.L. TORQUE	LOCKED ROTOR AMPS	L.R. TORQUE	B.D. TORQUE	F.L. RISE°C
3 LB-FT	27 / 13.5	11 LB-FT 367	14 LB-FT 467	21

SOUND PRESSURE @ 3 FT.	SOUND POWER	ROTOR WK^2	MAX. WK^2	SAFE STALL TIME	STARTS /HOUR	APPROX. MOTOR WGT
60 dBA	70 dBA	0.1 LB-FT^2	7 LB-FT^2	20 SEC.	2	55 LBS.

***** SUPPLEMENTAL INFORMATION *****

DE BRACKET TYPE	ODE BRACKET TYPE	MOUNT TYPE	ORIENTATION	SEVERE DUTY	HAZARDOUS LOCATION	DRIP COVER	SCREENS	PAINT
STANDARD	STANDARD	RIGID	HORIZONTAL	FALSE	NONE	FALSE	NONE	BLUE (POWDER)

BEARINGS		GREASE	SHAFT TYPE	SPECIAL DE	SPECIAL ODE	SHAFT MATERIAL	FRAME MATERIAL
DE	OPE						
BALL 6205	BALL 6203	POLYREX EM	T	NONE	NONE	1144 STRESSPROOF (C-223)	CAST IRON

THERMO-PROTECTORS				THERMISTORS	CONTROL	SPACE /n HEATERS
THERMOSTATS	PROTECTORS	WDG RTDs	BRG RTDs			
NONE	NOT	NONE	NONE	NONE	FALSE	NONE VOLTS

If Inverter equals NONE, contact factory for further information

*
N
O
T
E
S
*

INVERTER TORQUE: CONSTANT 20:1 INV. HP SPEED RANGE: NONE
ENCODER: NONE NONE NONE NONE NONE PPR
BRAKE: NONE NONE NONE P/N NONE NONE NONE NONE FT-LB NONE V NONE Hz

DATE: 06/22/2017 07:47:23 AM
 FORM 3531 REV.3 02/07/99
 ** Subject to change without notice.

Data Sheet

Date: 15-06-2017
 Customer: _____
 Attention: _____
 Submitted by: FAREEDA DUDEKULA



143TTFN16040

Submittal

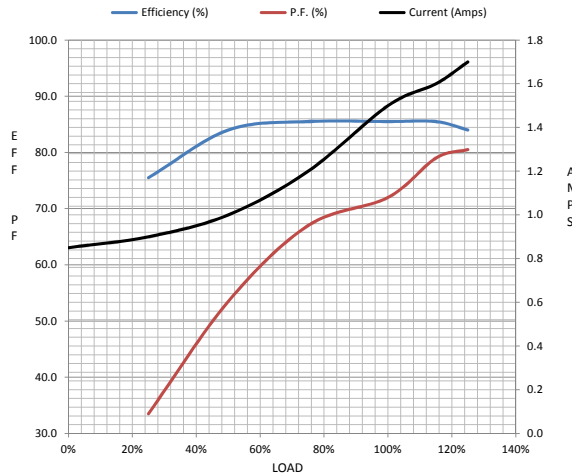
Data @ 460 V

Motor Load Data

Load	0%	25%	50%	75%	100%	115%	125%	LR
Current (Amps)	0.85	0.90	1.00	1.20	1.50	1.60	1.70	13.5
Torque (ft-lb)	0.00	0.74	1.50	2.20	3.0	3.5	3.8	11.0
RPM	1800	1785	1770	1755	1735	1,730	1725	0
Efficiency (%)		75.5	84.0	85.5	85.5	85.5	84.0	
P.F. (%)	10.0	33.5	53.5	67.0	72.0	79.0	80.5	67.0

Motor Speed Data

	LR	Pull-Up	BD	Rated	Idle
Speed (RPM)	0	900	1600	1735	1800
Current (Amps)	13.5	12.1	9.0	1.50	0.85
Torque (ft-lb)	11.0	9.9	14.0	3.0	0.00



Information Block				
HP	1.0			
Sync. RPM	1800			
Frame	143			
Enclosure	TEFC			
Construction	TFN			
Voltage	30/460#190/38V			
Frequency	60 Hz			
Design	A			
LR Code letter	M			
Service Factor	1.15			
Temp Rise @ FL	21 ° C			
Duty	CONT			
Ambient	40 ° C			
Elevation	1,000 feet			
Rotor/Shaft wk²	0.10 Lb-Ft²			
Ref Wdg	ZT492 R16			
Sound Pressure @ 1M	60 dBA			
VFD Rating	CONSTANT 20:1			
Outline Dwg	A-104719-750			
Conn. Diag	A-EE7308			
Additional Specifications:				
0				
365THFS8036				
EQUIV CKT (OHMS / PHASE)				
R1	R2	X1	X2	Xm
7.8610	5.4770	11.6360	10.3590	300.8280

Speed -Torque Curve

